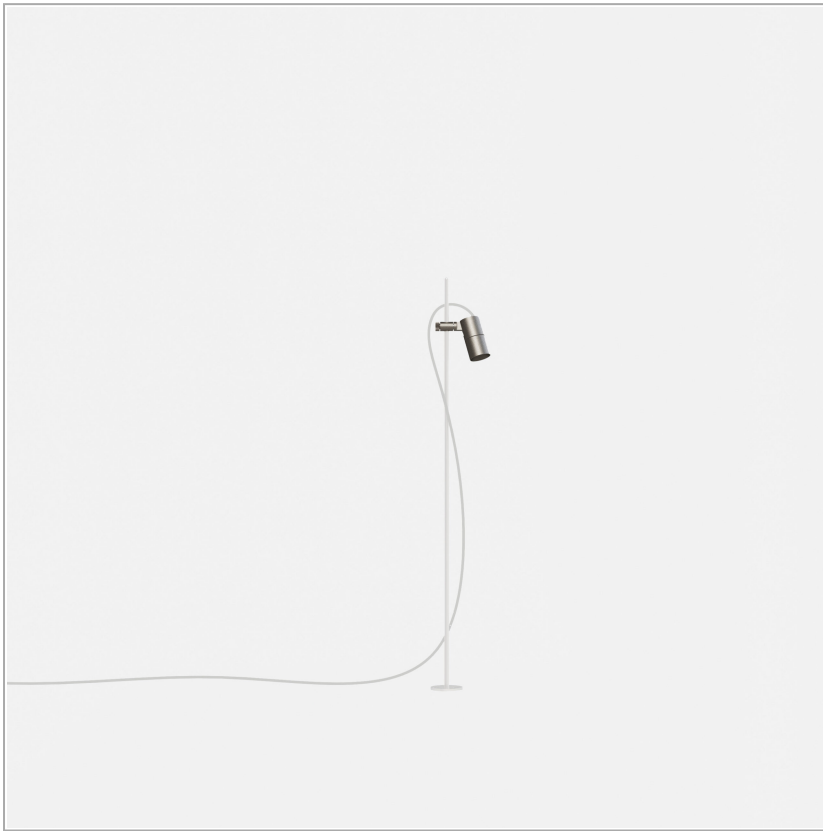


IFerrosi System element spot 36

code IF52.940S/99

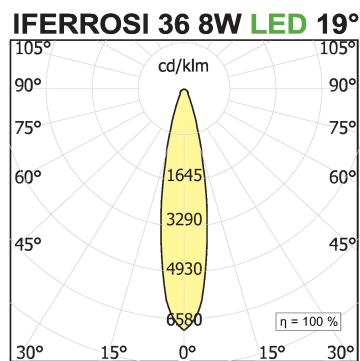
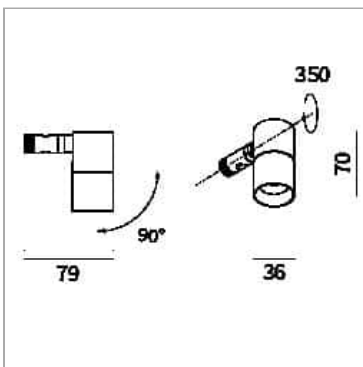


PRODUCT DESCRIPTION

Family of outdoor floor or wall luminaires, available in in a modular system for maximum customization. Versions with LED source for accent light are available. Poles of different heights from 700mm to 3000mm are available, to be combined with spots of 6.7W or 18W. Fixing base or possibility to install in different surfaces: flange for wooden surfaces, clamp for concrete and stake for ground. IP54.

PRODUCT SPECS

Installation method	system
Light source	LED
Absorbed power	8 W
Color temperature	4000K
Color rendering index CRI	>90
Optic	Spot 19°
Finishing	Graphite
Luminous flux of the product	1064 lm
Luminous efficiency	133 lm/W
MacAdam color tolerance	2
Life time estimate	2SCDM 50.000h L90 B10 ta25°
Protocol	On/Off
Energy efficiency class	D
Weight	0.3 Kg
Dimension	H110 Ø36 mm
IP Grade	IP54
Protection Class	Class III appliance



WEB PAGE



ASSEMBLY INSTRUCTIONS

