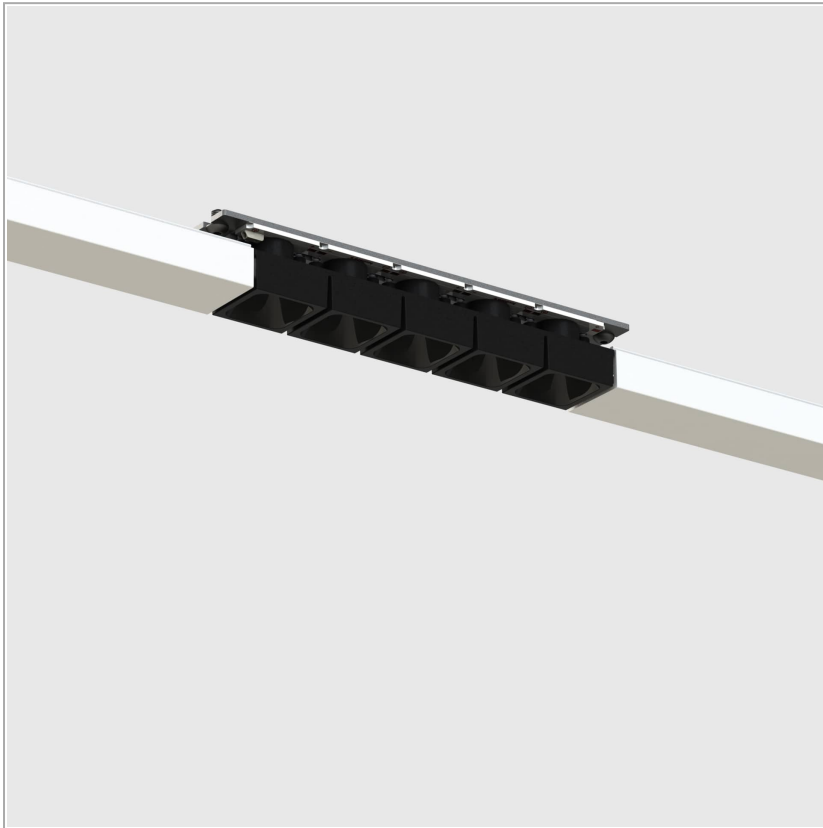


**File Flex sistema - Leva 5 File Flex  
24/48V**

code FX210.927S/01

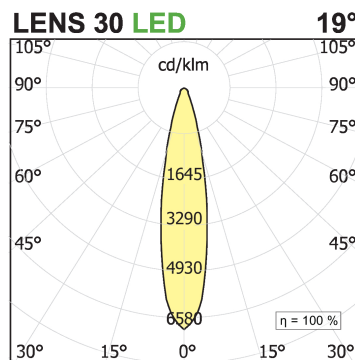
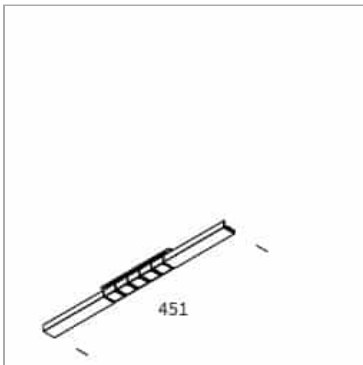


**PRODUCT DESCRIPTION**

REGISTERED DESIGN - File Flex is a versatile extruded aluminium profile, which can design infinite shapes. Its asymmetrical section is designed to realize unique lighting effects meanwhile ensuring optimal illumination levels. The linear LED source screened by a flexible opal extruded silicone diffuser creates seamless lighting effects. The system allows the use of blind modules, multi-optic from Leva series or adjustable spot from Spot Focus series Ø26 and Ø36. It has to be completed by stabilized drivers 24V or 48V.

**PRODUCT SPECS**

Installation method	system
Light source	LED
Absorbed power	5x2,2 W
Color temperature	2700K
Color rendering index CRI	>90
Optic	Spot 20°
Finishing	White box - black optic
Luminous flux of the product	991 lm
Luminous efficiency	90 lm/W
MacAdam color tolerance	3
Life time estimate	60.000H L80 B10
Protocol	On/Off
Weight	0.2 Kg
Dimension	L451xW30xH28 mm
IP Grade	IP20
Protection Class	Class III appliance
Power supply/Transformer	Not included
Protocol	See power supply



**WEB PAGE**



**ASSEMBLY INSTRUCTIONS**



Complies with EN605981 and related notes. In the absence of metric symbols, the measurements are all in millimetres.  
Luminous flux and power data are initially subject to tolerances +/- 10%. The values refer to an ambient temperature of 25°C unless otherwise specified.  
We reserve the right to make changes to our products at any time.