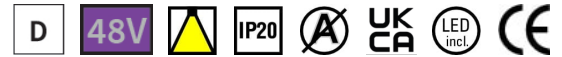


Leva Quadra Mini Track Q9 48V

code LV325.940FD/01

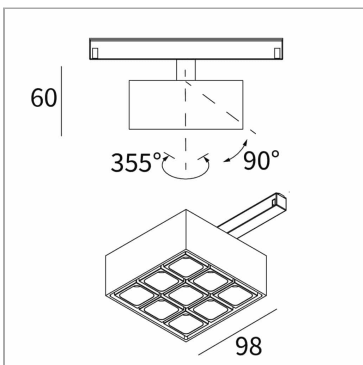


PRODUCT DESCRIPTION

Fix and adjustable projectors family with chip on board LED sources. Mounting options: recessed, with frame or trimless, ceiling and wall-mounted and on 48V tracks, such as the Multi System by Stucchi. Fixture's body in painted extruded aluminum. Optical group complete with CRI>90 chip on board led, lens, antiglare housing and electronic driver (except for recessed versions). The optical group is fixed in the recessed version and adjustable (0-90° on the horizontal axis and 355° on the vertical axis) in the surface-mounted and track versions. Spot, flood and wide optics. UGR<19. Degree of protection IP20/40.

PRODUCT SPECS

Installation method	Track
Light source	LED
Absorbed power	9x2,2 W
Color temperature	4000K
Color rendering index CRI	>90
Optic	Flood 32°
Finishing	White box - black optic
Luminous flux of the product	1714 lm
Luminous efficiency	87 lm/W
MacAdam color tolerance	3
Life time estimate	60.000H L80 B10
Protocol	Dimmable Dali
Energy efficiency class	D
Weight	0.90 Kg
Dimension	L98xW98xH60+a mm
IP Grade	IP20
Power supply/Transformer	Not included
Protocol	See power supply



WEB PAGE



ASSEMBLY INSTRUCTIONS



