

File H suspension double emission

code F1H04.827P/01

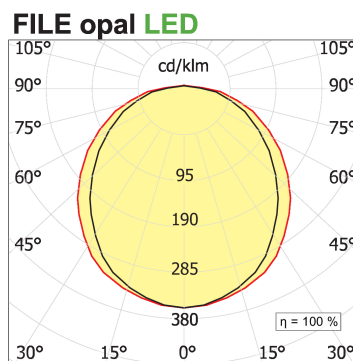
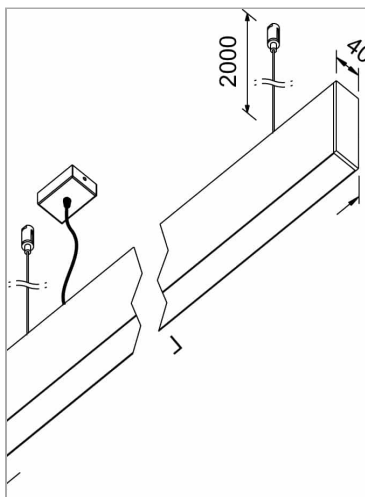


PRODUCT DESCRIPTION

Direct and indirect light indoor suspension lamp made of extruded aluminum 6060, complete with led; color rendering index CRI >90. Professional led modules assembled and wired on extruded aluminum heatsink with high performance reflector, equipped with harmonic steel springs for installation in the profile Tools free; wiring through 5 cables with quick coupling terminal blocks; protocol On/Off. Lamp with color finish white; in polycarbonate with diffusing film. Degree of protection IP40.

PRODUCT SPECS

Installation method	Suspension
Light source	LED
Absorbed power	2x38,4 W
Color temperature	2700K
Color rendering index CRI	>90
Optic	Opal polycarbonate diffuser
Finishing	White
Luminous flux of the product	5316 lm
Luminous efficiency	69 lm/W
MacAdam color tolerance	3
Life time estimate	50000h Ta 25° L80B10
Protocol	On/Off
Energy efficiency class	D
Dimension	L1700 mm
IP Grade	IP40
Power supply	220-240V 50-60Hz



WEB PAGE



ASSEMBLY INSTRUCTIONS

