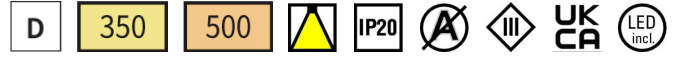


Mini Sight Frame 3

code MS30.940W/01

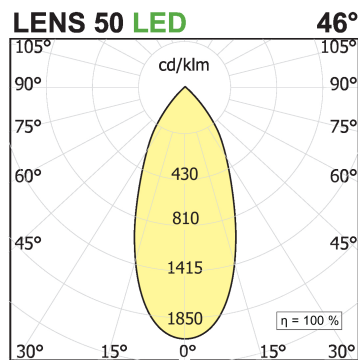
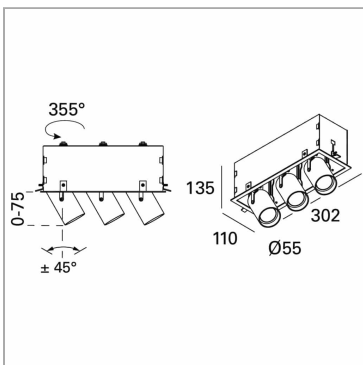


PRODUCT DESCRIPTION

Square recessed fixture with frame, 3 lamps. Adjustable pull-out optic

PRODUCT SPECS

Installation method	Recessed with frame
Light source	LED
Absorbed power	3x12 W / 3x18 W
Color temperature	4000K
Color rendering index CRI	>90
Optic	Wide 46°
Finishing	White
Luminous flux of the product	4010 lm / 4810 lm
Luminous efficiency	111 lm/W / 89 lm/W
MacAdam color tolerance	2
Life time estimate	2SCDM 50.000h L90 B10 ta25°
Protocol	On/Off
Energy efficiency class	D
Weight	1.50 Kg
Dimension	L302xW110xH135 mm
IP Grade	IP20
Protection Class	Class III appliance
Product Spec	Rectangular shape
Power supply/Transformer	Not included
Protocol	See power supply



WEB PAGE



ASSEMBLY INSTRUCTIONS

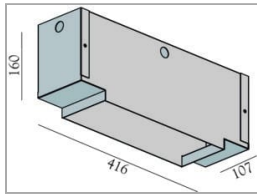


MANDATORY ACCESSORIES

Box mini sight 3

code MSC03

Galvanized metal wallbox to be recessed in brick walls or reinforced concrete to fit MINI sight 3.



Technical Sheet



