

## Mini Sight Frame 2

code MS20.9TWS/01

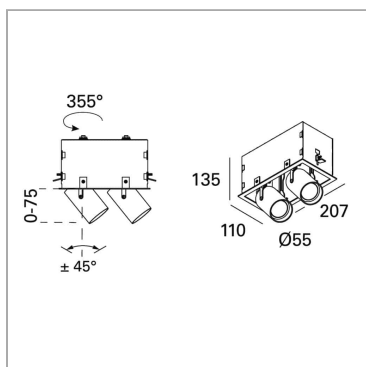


### PRODUCT DESCRIPTION

Square recessed fixture with frame, 2 lamps. Adjustable pull-out optic

### PRODUCT SPECS

Installation method	Recessed with frame
Light source	LED
Absorbed power	2x12 W / 2x18 W
Color temperature	Tunable White
Color rendering index CRI	>90
Optic	Spot 15°
Finishing	White
MacAdam color tolerance	2
Life time estimate	2SCDM 50.000h L90 B10 ta25°
Protocol	On/Off
Energy efficiency class	D
Weight	1.00 Kg
Dimension	L207xW110xH135 Ø55 mm
IP Grade	IP20
Protection Class	Class III appliance
Product Spec	Rectangular shape
Power supply/Transformer	Not included
Protocol	See power supply



### WEB PAGE

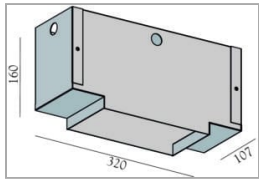


### ASSEMBLY INSTRUCTIONS



## MANDATORY ACCESSORIES

### Box mini sight 2



code MSC02

Galvanized metal wallbox to be recessed in brick walls or reinforced concrete to fit MINI sight 2.

Technical Sheet



