

Mini Sight Frame 2

code MS20.940S/01

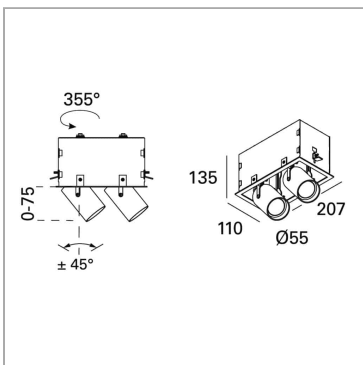


PRODUCT DESCRIPTION

Square recessed fixture with frame, 2 lamps. Adjustable pull-out optic

PRODUCT SPECS

Installation method	Recessed with frame
Light source	LED
Absorbed power	2x12 W / 2x18 W
Color temperature	4000K
Color rendering index CRI	>90
Optic	Spot 15°
Finishing	White
Luminous flux of the product	2665 lm / 3198 lm
Luminous efficiency	111 lm/W / 89 lm/W
MacAdam color tolerance	2
Life time estimate	2SCDM 50.000h L90 B10 ta25°
Protocol	On/Off
Energy efficiency class	D
Weight	1.00 Kg
Dimension	L207xW110xH135 Ø55 mm
IP Grade	IP20
Protection Class	Class III appliance
Product Spec	Rectangular shape
Power supply/Transformer	Not included
Protocol	See power supply



WEB PAGE

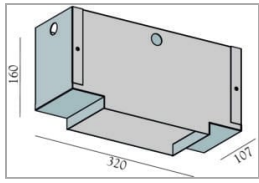


ASSEMBLY INSTRUCTIONS



MANDATORY ACCESSORIES

Box mini sight 2



code MSC02

Galvanized metal wallbox to be recessed in brick walls or reinforced concrete to fit MINI sight 2.

Technical Sheet



