

Ipipedi Ceiling R55

code PP161.940W/01

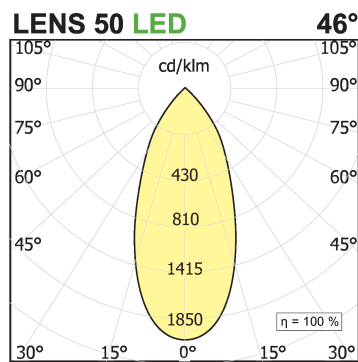
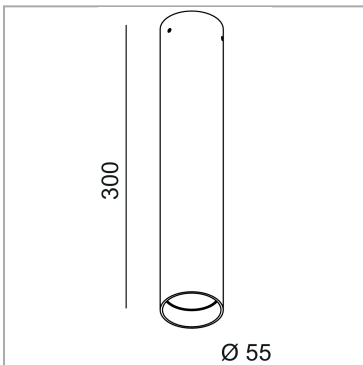


PRODUCT DESCRIPTION

indoor ceiling lighting fixture characterized by aluminium tubular section.

PRODUCT SPECS

Installation method	Ceiling surface mounted
Light source	LED
Absorbed power	8 W
Color temperature	4000K
Color rendering index CRI	90
Optic	Wide 46°
Finishing	White
Luminous flux of the product	860 lm
Luminous efficiency	108 lm/W
Protocol	On/Off
Dimension	H300 Ø55 mm
Power supply	220-240V 50-60Hz



WEB PAGE



ASSEMBLY INSTRUCTIONS





Complies with EN605981 and related notes. In the absence of metric symbols, the measurements are all in millimetres.
Luminous flux and power data are initially subject to tolerances +/- 10%. The values refer to an ambient temperature of 25°C unless otherwise specified.
We reserve the right to make changes to our products at any time.