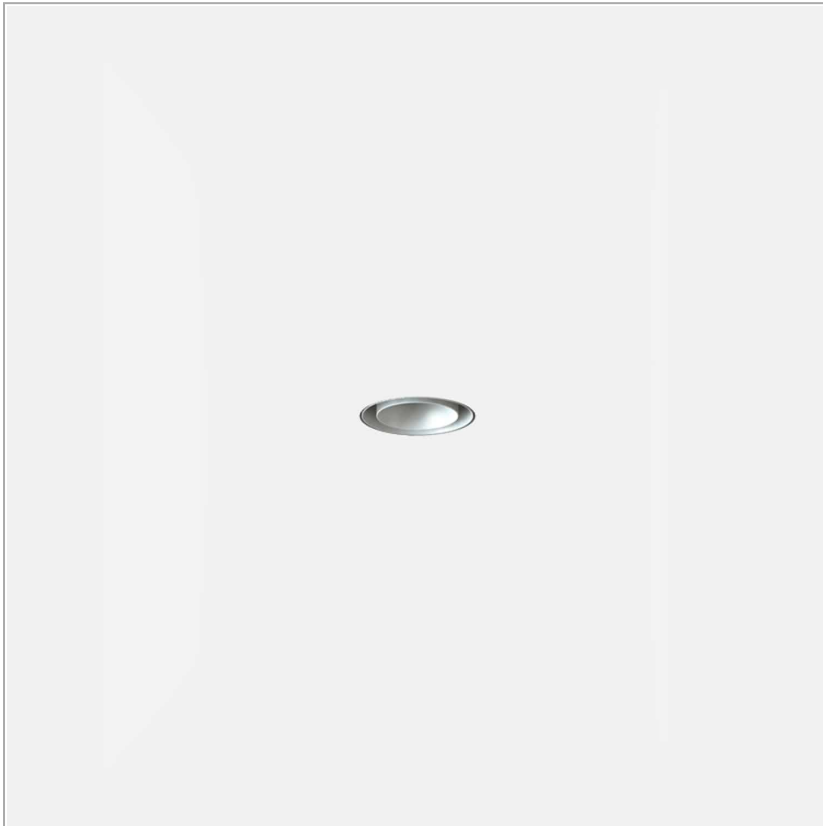


Nyx Trimless Directional T35D - optic group

code LTN40K.927F/01

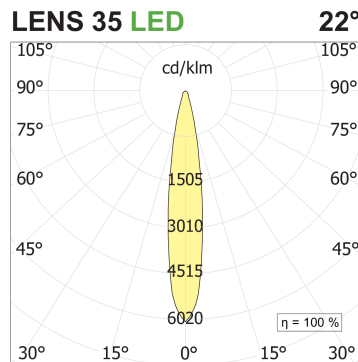
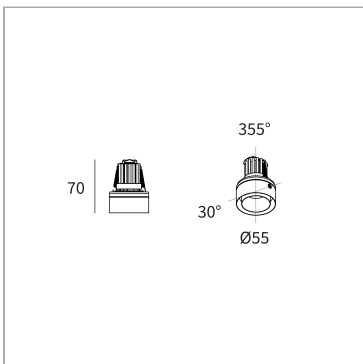


PRODUCT DESCRIPTION

Wall/ceiling recessed lamp, rpund section, direct light.
Possibility to install total recessed or semi-recessed

PRODUCT SPECS

Installation method	Trimless recessed
Light source	LED
Absorbed power	5 W
Color temperature	2700K
Color rendering index CRI	>90
Optic	Flood 22°
Finishing	White
Luminous flux of the product	666 lm
Luminous efficiency	133 lm/W
MacAdam color tolerance	2
Life time estimate	50000h L90 B10 ta 25°C
Energy efficiency class	D
Weight	0.15 Kg
Dimension	H74 Ø55 mm
Hole size	Ø 75 mm
IP Grade	IP20
Protection Class	Class III appliance
Product Spec	Adjustable, Circular shape
Power supply/Transformer	Not included
Protocol	See power supply



WEB PAGE



ASSEMBLY INSTRUCTIONS



Complies with EN605981 and related notes. In the absence of metric symbols, the measurements are all in millimetres.
Luminous flux and power data are initially subject to tolerances +/- 10%. The values refer to an ambient temperature of 25°C unless otherwise specified.
We reserve the right to make changes to our products at any time.

MANDATORY ACCESSORIES

Outer Casing Nyx T50 and T35D trimless for false ceiling

Formwork for fixing Nyx T50F and Nyx T35D to plasterboard.



code LTN04A

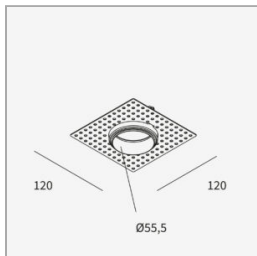
Formwork for fixing Nyx T50F and Nyx T35D to plasterboard.

Technical Sheet



Frame Nyx For Brickwall T35D e T50F outer casing box for brick wall

Frame for brick wall for Nyx T35D e T50F.



code LTN04B

Frame for brick wall for Nyx T35D e T50F.

Technical Sheet



AE500.6C



code AE500.6C

Electronic power supply current