

**Nyx Frame TF50F Fixed for  
plasterboard**

code NF024.940F/01

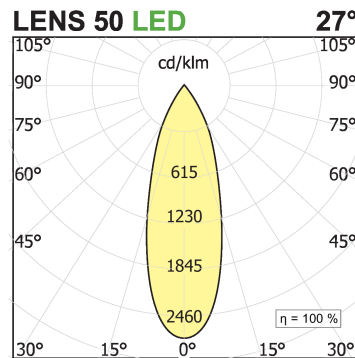
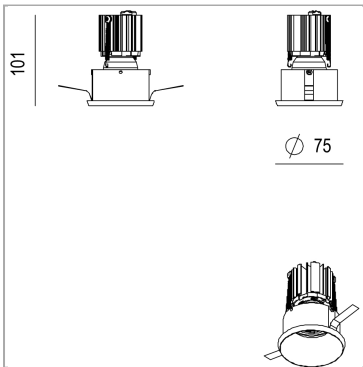


**PRODUCT DESCRIPTION**

Recessed ceiling luminaire with round frame, with fixed optics for accent and diffuse lighting. Light source in back anti-glare position. Available in versions for plasterboard installation. With integrated LED source with 99.9% pure aluminium metallic reflector. Body and body in painted aluminum. Remote power available as an accessory. IP20/IP54. Insulation class III.

**PRODUCT SPECS**

Installation method	Recessed with frame
Light source	LED
Absorbed power	8 W / 12 W
Color temperature	4000K
Color rendering index CRI	>90
Optic	Flood 27°
Finishing	White
Luminous flux of the product	1064 lm / 1333 lm
Luminous efficiency	133 lm/W / 111 lm/W
MacAdam color tolerance	2
Life time estimate	2SCDM 50.000h L90 B10 ta25°
Energy efficiency class	D
Weight	-0.75 Kg
Dimension	H101 Ø75 mm
Hole size	70 mm
IP Grade	IP20/54
Protection Class	Class III appliance
Product Spec	Circular shape
Power supply/Transformer	Not included
Protocol	See power supply



**WEB PAGE**



**ASSEMBLY INSTRUCTIONS**



Complies with EN605981 and related notes. In the absence of metric symbols, the measurements are all in millimetres. Luminous flux and power data are initially subject to tolerances +/- 10%. The values refer to an ambient temperature of 25°C unless otherwise specified. We reserve the right to make changes to our products at any time.

## MANDATORY ACCESSORIES

### AE350.16C (Copia)



code AE350.15C

Electronic power supply current

### AE500.20C1

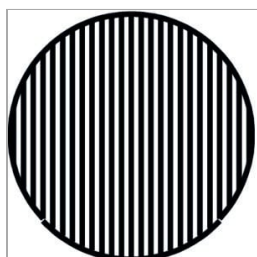


code AE500.20C1

Electronic power supply current

## OPTIONAL ACCESSORIES

### Accessori Lens ø 50 Elissoidal lens Ø 50



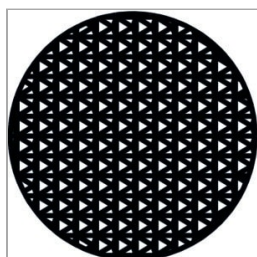
code L050E

uncategorized  
Warning: Not suitable with halogen lamp

Technical Sheet



### Accessori Lens ø 50 Asymmetric lens Ø 50



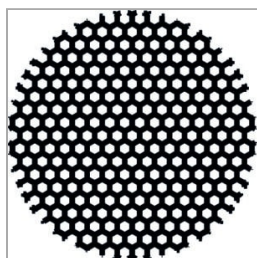
code L050A

uncategorized  
Warning: Not suitable with halogen lamp

Technical Sheet



### Accessori Lens ø 50 Honey comb Ø 50



code L050R

uncategorized

Technical Sheet

