

## File System - Recessed empty profile

code LT247.2000/01

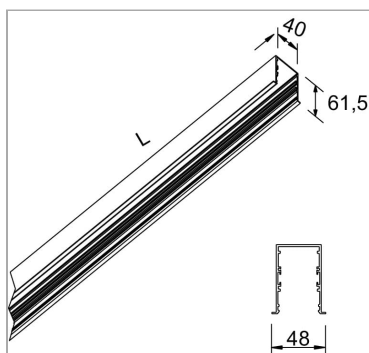


### PRODUCT DESCRIPTION

Aluminium extruded painted or anodised profile

### PRODUCT SPECS

Installation method	system
Finishing	White
Weight	1.86 Kg
Dimension	W40xH60 mm
Hole size	42 x L +2 mm



### WEB PAGE



### ASSEMBLY INSTRUCTIONS



Complies with EN605981 and related notes. In the absence of metric symbols, the measurements are all in millimetres.

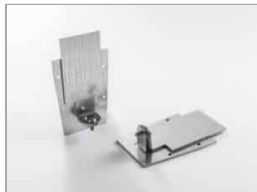
Luminous flux and power data are initially subject to tolerances +/- 10%. The values refer to an ambient temperature of 25°C unless otherwise specified. We reserve the right to make changes to our products at any time.

Page 1 / 2

## OPTIONAL ACCESSORIES

### Couple of closure heads 40 mm

code LT2480.1



Modular system for direct, diffused and/or accent lighting, consisting of hollow profiles made from 66x40 mm painted or anodised extruded aluminium, with a predefined length or cut to measure, available in the following versions: wall-mounted, ceiling-mounted, suspended, recessed with a super-slim edge trim, just 5 mm wide (61.5 x 40 mm) and trimless recessed. To be integrated with LED linear light sources, battens for T16 fluorescent lamps, projectors with built-in LED source and max 16A 3-circuit track modules for inclusion of projectors. Fluorescent battens, complete with 50/60 Hz 230/240 V electronic power supply, LED batten driver included. To be completed with side end caps with Light Proof system, opal white or microprismatic PC diffusing screen (in accordance with EN 12464-1), closing profiles, with a predefined length or cut to measure, or dark-light aluminium grille with high specular qualities and mounting brackets or suspension cables. IP40 protection rating.

Technical Sheet

