

Iride recessed frame adjustable

code IR23.935W/01

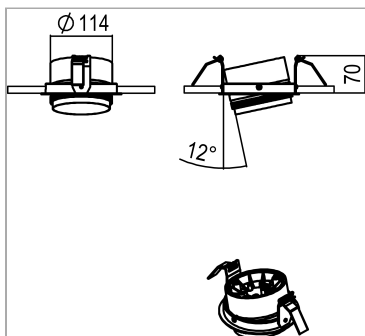


PRODUCT DESCRIPTION

Adjustable indoor recessed projector, complete with LED 34 W, colour rendering index CRI >90. Lamp with colour finish white. Lamp body and optical group made of powder-coated die-cast aluminium, springs in harmonic steel for quick installation. High performance polycarbonate lens. UGR<19

PRODUCT SPECS

Installation method	recessed with frame
Light source	LED
Absorbed power	34 W
Color temperature	3500K
Color rendering index CRI	>90
Optic	Wide 36°
Finishing	White
Luminous flux of the product	2596 lm
Luminous efficiency	76 lm/W
MacAdam color tolerance	3
Life time estimate	3SDCM 50000h L90 B10 Ta 25°C
Energy efficiency class	D
Dimension	Ø114 mm
IP Grade	IP20
Power supply/Transformer	Not included
Protocol	See power supply



WEB PAGE

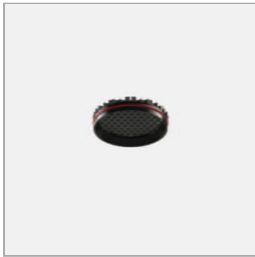


ASSEMBLY INSTRUCTIONS



OPTIONAL ACCESSORIES

Private:



code L114R

Non-reflective accessory lens with a honeycomb structure, diameter 86 mm.

Technical Sheet



