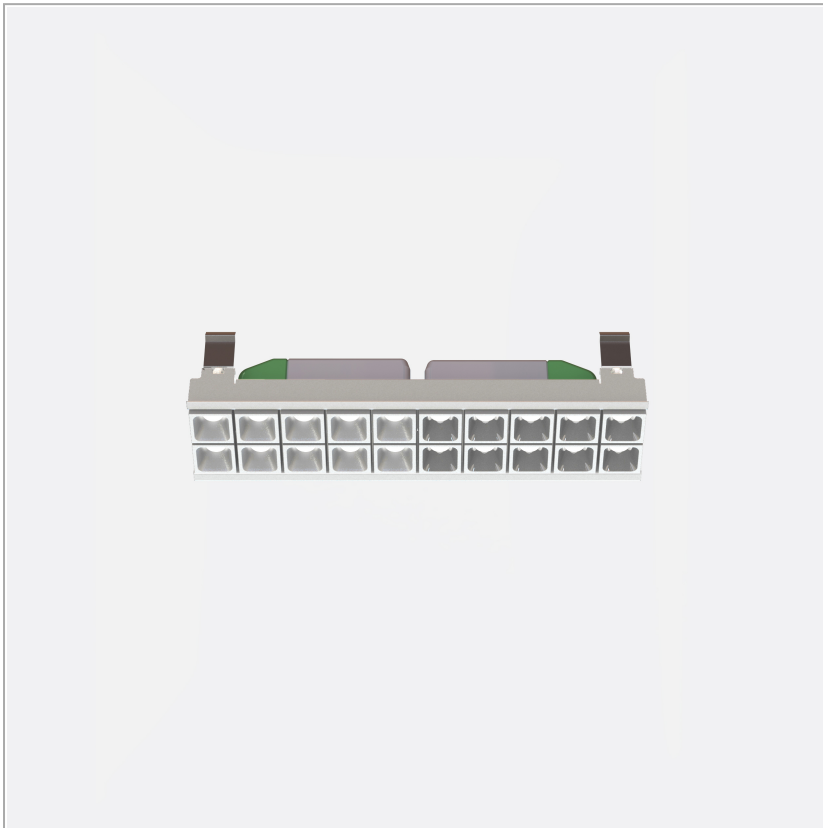


Leva 10+10 recessed - kit

code LV210K..935W/01

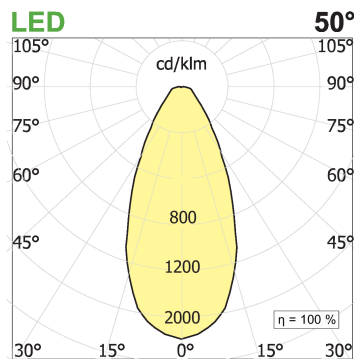
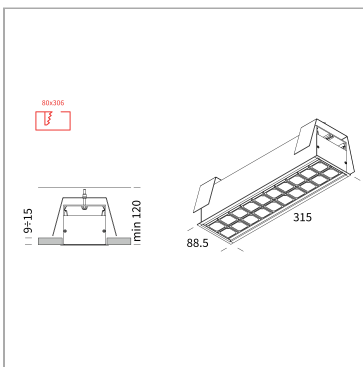


PRODUCT DESCRIPTION

Integrated LED Chip On Board light fixture. Recessed installation with stop. Luminaire body in extruded painted aluminum white. Optical groups complete with LED chip on board, lens, anti-glare housing. Optics 50° UGR<16. Protection rating IP20.

PRODUCT SPECS

Installation method	Recessed with frame
Light source	LED
Absorbed power	20x2,2 W
Color temperature	3500K
Color rendering index CRI	>90
Optic	Wide 50°
Finishing	White
Luminous flux of the product	3602 lm
Luminous efficiency	82 lm/W
MacAdam color tolerance	2
Life time estimate	50000h Ta 25° L90B10
Protocol	On/Off
Energy efficiency class	E
Dimension	L300xW75xH120 mm
Hole size	80X308 mm
Power supply/Transformer	Not included
Protocol	See power supply



WEB PAGE

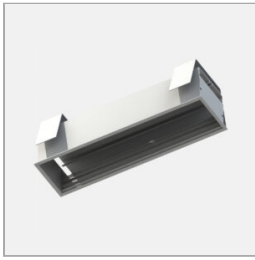


ASSEMBLY INSTRUCTIONS



MANDATORY ACCESSORIES

Accessori Leva Wallbox F 10+10



code LV210F/01

Recessed with frame uncategorized wallbox for false ceiling. Bianco finishing wallbox for false ceiling

Technical Sheet

