

**Iride Base 114S**

code IR02.940F/01

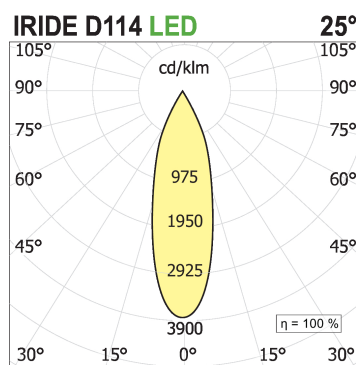
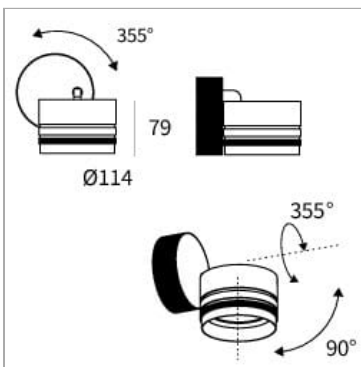


**PRODUCT DESCRIPTION**

Wall/ceiling projector with fixed projection, complete with LED 26 W beam 24°, color rendering index CRI >90. Lamp with color finish white. Body lamp and optical group made of die-cast aluminum powder-coated, aluminum joint, rotation of the optical group of 355 °. on the vertical axis and 90 °. on the horizontal axis. Snooter in lamp finish or finishing choice. High performance lens. Possibility of insertion of Honey Comb filter.

**PRODUCT SPECS**

Installation method	Wall surface mounted, Ceiling surface mounted
Light source	LED
Absorbed power	26 W
Color temperature	4000K
Color rendering index CRI	>90
Optic	Flood 24°
Finishing	White
Luminous flux of the product	2788 lm
Luminous efficiency	107 lm/W
Life time estimate	3SDCM 50000h L90 B10 Ta 25°C
Protocol	On/Off
Energy efficiency class	E
Dimension	Ø114 mm
IP Grade	IP20
Product Spec	Adjustable
Power supply	220-240V 50-60Hz



**WEB PAGE**



**ASSEMBLY INSTRUCTIONS**

