

Iride Base 114S

code IR02.940FD/01

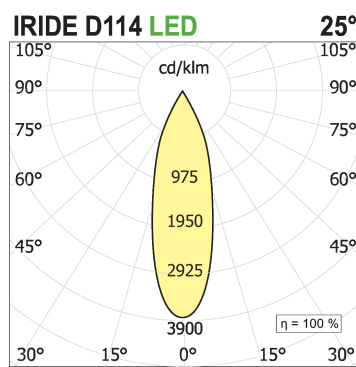
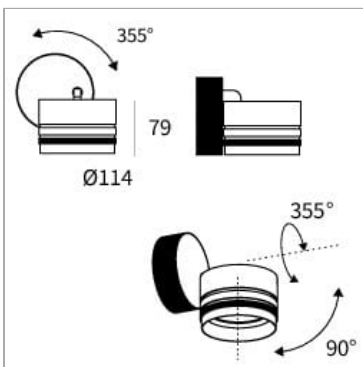


PRODUCT DESCRIPTION

Wall/ceiling projector with fixed projection, complete with LED 26 W beam 24°, color rendering index CRI >90. Lamp with color finish white. Body lamp and optical group made of die-cast aluminum powder-coated, aluminum joint, rotation of the optical group of 355 °. on the vertical axis and 90 °. on the horizontal axis. Snooter in lamp finish or finishing choice. High performance lens. Possibility of insertion of Honey Comb filter.

PRODUCT SPECS

Installation method	Wall surface mounted, Ceiling surface mounted
Light source	LED
Absorbed power	26 W
Color temperature	4000K
Color rendering index CRI	>90
Optic	Flood 24°
Finishing	White
Luminous flux of the product	2788 lm
Luminous efficiency	107 lm/W
Life time estimate	3SDCM 50000h L90 B10 Ta 25°C
Protocol	Dimmable Dali
Energy efficiency class	E
Dimension	Ø114 mm
IP Grade	IP20
Product Spec	Adjustable
Power supply	220-240V 50-60Hz



WEB PAGE



ASSEMBLY INSTRUCTIONS

