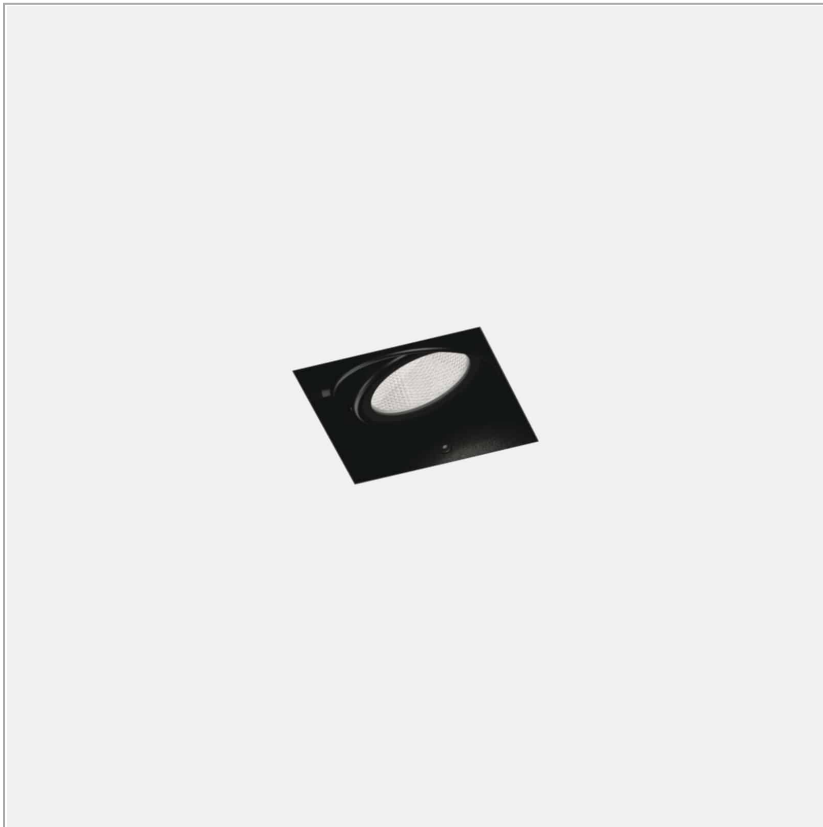


## Incas Led Minimal 1

code IN01M.930S/01

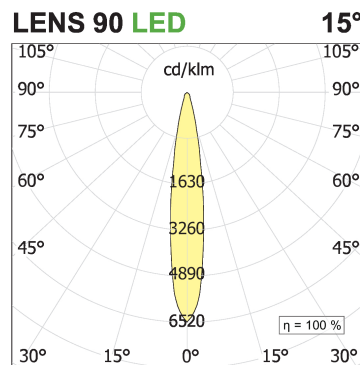
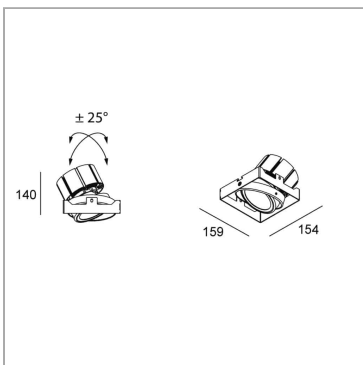


### PRODUCT DESCRIPTION

Family of adjustable recessed downlight, with COB LED source, with or without frame. Square or rectangular painted steel structure with one or more light sources. Cardanic optical assembly with  $\pm 25^\circ$  orientation on the two horizontal axes. The frameless version necessarily requires a subframe for installation on 13mm plasterboard false ceilings. Equipped with high-performance LEDs, with CRI > 90, high-performance passive heatsink in black anodized extruded aluminum and 99.99% pure aluminum metallized reflector. To be associated with remote stabilized current drivers. IP20.

### PRODUCT SPECS

Installation method	Trimless recessed
Light source	LED
Absorbed power	17 W / 24,3 W
Color temperature	3000K
Color rendering index CRI	>90
Optic	Spot 15°
Finishing	White
Luminous flux of the product	1789 lm / 2558 lm
Luminous efficiency	105 lm/W
MacAdam color tolerance	3
Life time estimate	3SDCM 50000h L90 B10 ta 25°C
Protocol	On/Off
Energy efficiency class	D / E
Dimension	L159xW154xH140 mm
Hole size	vedi accessori mm
IP Grade	IP20
Protection Class	Class III appliance
Product Spec	Adjustable
Power supply/Transformer	Not included
Protocol	See power supply



### WEB PAGE

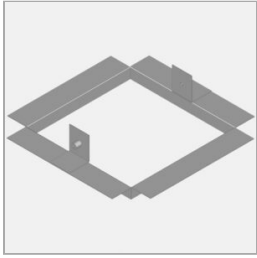


### ASSEMBLY INSTRUCTIONS



## MANDATORY ACCESSORIES

### Accessori Wallbox Frame Incas 1AM



code TEIN01M

Inspectable frame to be fit plaster in plasterboard 15mm thick for the article INCAS 1M, INCAS 1AM.  
For plasterboard 13 mm tick it is necessary thicken.

Technical Sheet



