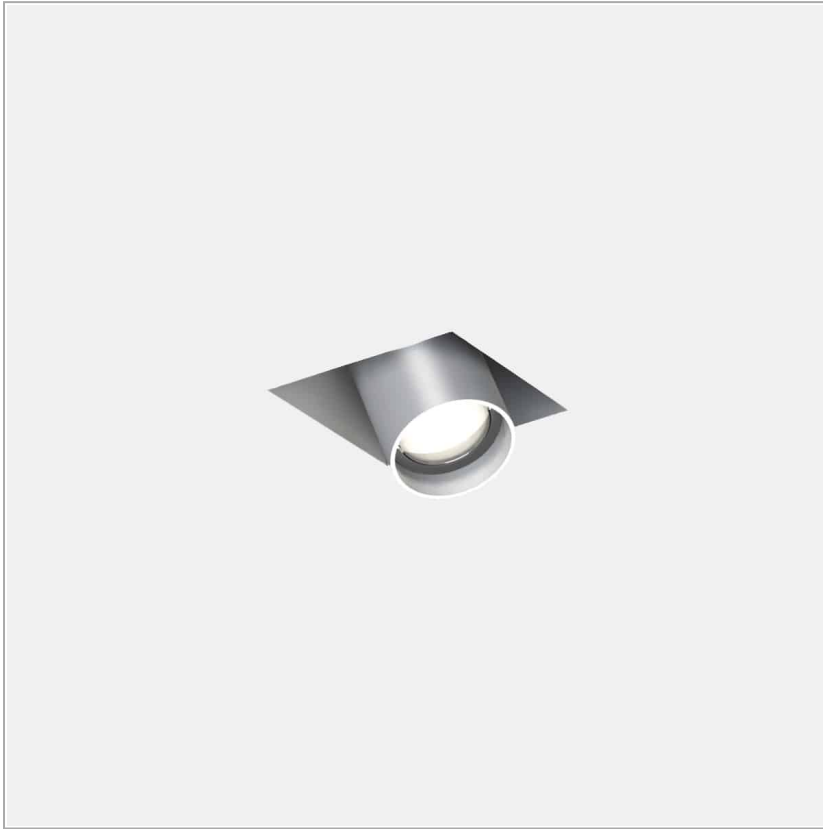


**Mini Sight Minimal 1M**

code MS50.940F/01

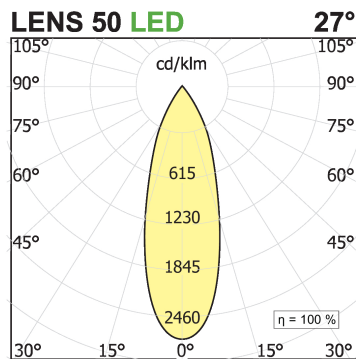
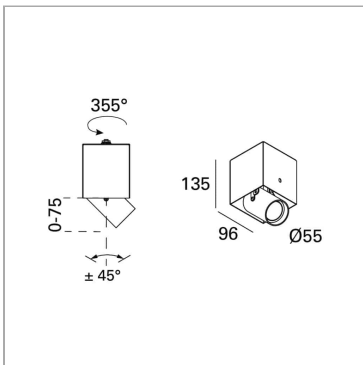


**PRODUCT DESCRIPTION**

Square recessed fixture without frame. Adjustable pull-out optic

**PRODUCT SPECS**

Installation method	Trimless recessed
Light source	GU10
Absorbed power	50 W
Color temperature	4000K
Color rendering index CRI	Depending on the bulb (not included)
Optic	Flood 27°
Finishing	White
Luminous flux of the product	Depending on the bulb (not included)
Luminous efficiency	Depending on the bulb (not included)
Energy efficiency class	E-G
Weight	0.55 Kg
Dimension	L96xW96xH135 Ø55 mm
IP Grade	IP20
Power supply/Transformer	Not included
Protocol	See power supply



**WEB PAGE**



**ASSEMBLY INSTRUCTIONS**

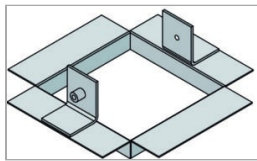


## MANDATORY ACCESSORIES

### Accessori Wallbox Frame for Mini sight 1M

code MSC21

inspectable Frame to Be Fixed and plastered in 15mm height plasterBoard False ceilings



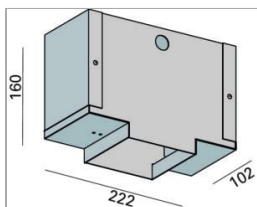
Technical Sheet



### Box mini sight 1M

code MSC11

Galvanized metal wallbox to be recessed in brick walls or reinforced concrete to fit the article MINI INCAS 1M



Technical Sheet



