

## Minifile System Suspension empty profile

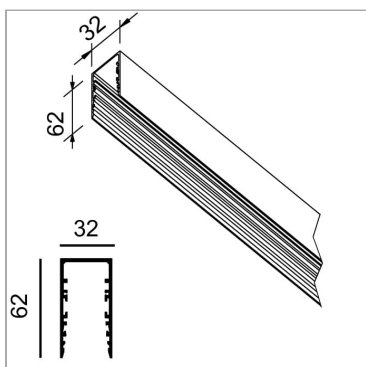
code LTM01.misura/01



### PRODUCT DESCRIPTION

### PRODUCT SPECS

Installation method	system
Finishing	White
Dimension	W32xH62 mm



### WEB PAGE



### ASSEMBLY INSTRUCTIONS



Complies with EN605981 and related notes. In the absence of metric symbols, the measurements are all in millimetres.  
Luminous flux and power data are initially subject to tolerances +/- 10%. The values refer to an ambient temperature of 25°C unless otherwise specified.  
We reserve the right to make changes to our products at any time.

Page 1 / 4

## OPTIONAL ACCESSORIES

### Minifile System Couple of closure heads for ceiling/suspension profile with diffuser



code LTM049P/01

couple of heads for ceiling/suspension profile with diffuser

Technical Sheet



### Linear joint couple



code LTM211

Modular system of 30X30 mm single and bi-emission extruded aluminium profiles, for recessed, ceiling and suspension installation, with LED linear sources and 230/240V electronic ballasts. Its dimensions make it suitable for installation on radiant ceilings by means of appropriate bracket. Painted finish. Diffuser screens in opal polycarbonate and side closing heads with Light Proof system. Degree of protection IP20/ IP40.

Technical Sheet



### Fifty5 System Steel suspension kit



code LTM047.4000

single steel suspension kit l.2000mm. one every 1,5 mt, 2 pieces minimum

Technical Sheet



code LTM047

single steel suspension kit l.2000mm. one every 1,5 mt, 2 pieces minimum

Technical Sheet



### Fifty5 System Power cable kit with ceiling canopy



code LTM048.3/01

l.2000 mm

Technical Sheet



code LTM048.4/01

l.2000 mm

Technical Sheet

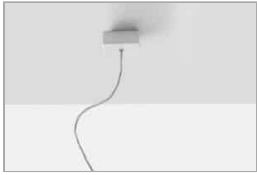


code LTM048.5/01

l.2000 mm

Technical Sheet

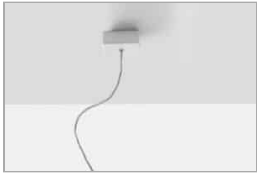




code LTM048.7/01

l.2000 mm

Technical Sheet



code LTM048.9/01

l.2000 mm

Technical Sheet



## Minifile System Opal white polycarbonate diffuser

code LTM044.1000



Trimless, fully-retracting flush recessed modular systems for housing system profiles and MINIFILE, FILE, FILE 2, FILE 2 COMPLEMENTI, LEVA and FARETÈN finished modules for creating cuts of continuous light or where light modules alternate to voids, in plaster-board false-ceiling or false-walls or in concrete or brick walls. Painted or anodised extruded aluminium body, with a predefined length or cut to size. To be completed with side end caps and finishing cover for the empty spaces in a retracted position to determine an effect of solids and voids. Can also be used with LED linear light sources, to be completed with opal white PC diffusing screen and remote power supplies, to create retracted grooves of light.

Technical Sheet



code LTM044.2000



Trimless, fully-retracting flush recessed modular systems for housing system profiles and MINIFILE, FILE, FILE 2, FILE 2 COMPLEMENTI, LEVA and FARETÈN finished modules for creating cuts of continuous light or where light modules alternate to voids, in plaster-board false-ceiling or false-walls or in concrete or brick walls. Painted or anodised extruded aluminium body, with a predefined length or cut to size. To be completed with side end caps and finishing cover for the empty spaces in a retracted position to determine an effect of solids and voids. Can also be used with LED linear light sources, to be completed with opal white PC diffusing screen and remote power supplies, to create retracted grooves of light.

Technical Sheet



code LTM044.3000



Trimless, fully-retracting flush recessed modular systems for housing system profiles and MINIFILE, FILE, FILE 2, FILE 2 COMPLEMENTI, LEVA and FARETÈN finished modules for creating cuts of continuous light or where light modules alternate to voids, in plaster-board false-ceiling or false-walls or in concrete or brick walls. Painted or anodised extruded aluminium body, with a predefined length or cut to size. To be completed with side end caps and finishing cover for the empty spaces in a retracted position to determine an effect of solids and voids. Can also be used with LED linear light sources, to be completed with opal white PC diffusing screen and remote power supplies, to create retracted grooves of light.

Technical Sheet



code LTM044.misura



Trimless, fully-retracting flush recessed modular systems for housing system profiles and MINIFILE, FILE, FILE 2, FILE 2 COMPLEMENTI, LEVA and FARETÈN finished modules for creating cuts of continuous light or where light modules alternate to voids, in plaster-board false-ceiling or false-walls or in concrete or brick walls. Painted or anodised extruded aluminium body, with a predefined length or cut to size. To be completed with side end caps and finishing cover for the empty spaces in a retracted position to determine an effect of solids and voids. Can also be used with LED linear light sources, to be completed with opal white PC diffusing screen and remote power supplies, to create retracted grooves of light.

Technical Sheet



## Minifile System Extruded aluminium closing cover



#### code FM6.1000/01

\*Through this code you can order the profile in a non-standard linear length. Replace the word "measure" with the desired length in mm. To order a profile with one or both ends cut at a 45 ° angle, add to the measure the letter "D" (Right cut) or "S" (Left cut). Follow the instructions on p. 652. For profiles over 3 meters and maximum 6 meters the transport conditions are to be agreed.

#### Technical Sheet



#### code FM6.2000/01

\*Through this code you can order the profile in a non-standard linear length. Replace the word "measure" with the desired length in mm. To order a profile with one or both ends cut at a 45 ° angle, add to the measure the letter "D" (Right cut) or "S" (Left cut). Follow the instructions on p. 652. For profiles over 3 meters and maximum 6 meters the transport conditions are to be agreed.

#### Technical Sheet



#### code FM6.3000/01

\*Through this code you can order the profile in a non-standard linear length. Replace the word "measure" with the desired length in mm. To order a profile with one or both ends cut at a 45 ° angle, add to the measure the letter "D" (Right cut) or "S" (Left cut). Follow the instructions on p. 652. For profiles over 3 meters and maximum 6 meters the transport conditions are to be agreed.

#### Technical Sheet



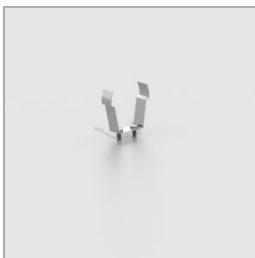
#### code FM6.misura/01

\*Through this code you can order the profile in a non-standard linear length. Replace the word "measure" with the desired length in mm. To order a profile with one or both ends cut at a 45 ° angle, add to the measure the letter "D" (Right cut) or "S" (Left cut). Follow the instructions on p. 652. For profiles over 3 meters and maximum 6 meters the transport conditions are to be agreed.

#### Technical Sheet



### Minifile system Spring for closing cover



#### code FM.MLC

Modular system for direct, diffused, accent or wallwasher, made of 62x32 mm painted or anodised extruded aluminium empty profiles, available in predefined lengths or cut to measure. Available in wall-mounted, ceiling-mounted, suspended, trimless recessed or recessed with super-slim 5 mm. width edge trim versions. To be integrated with linear LED sources, LED spotlights, complete with 50/60 Hz 230/240 V electronic power supply. To be completed with Light Proof system side end caps, opal white polycarbonate diffusing screen, quick mounting extruded aluminium shapers (for linear LEDs and spotlight LEDs) or closing profiles, available in predefined lengths or cut to measure, and mounting brackets or suspension cables. IP20 or IP40 protection degree depending on the selected lighting combinations.

#### Technical Sheet

