

File 2 trimless recessed 32W/m

code F2136.940X/01

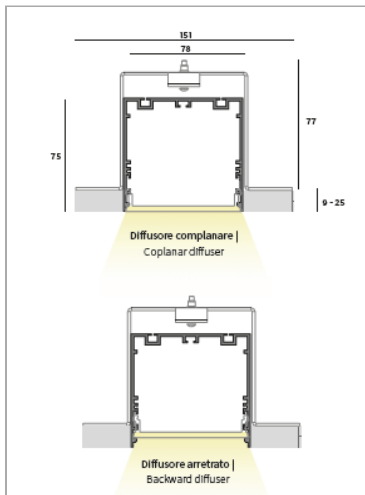


PRODUCT DESCRIPTION

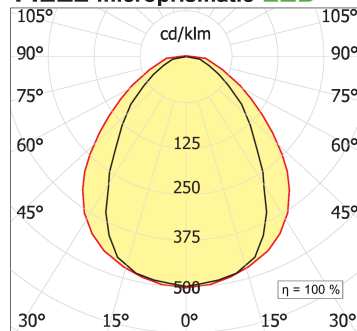
Lamp with direct light from built-in shaved; color rendering CRI >90. Professional led modules assembled and wired on extruded aluminum heatsink with high performance reflector; equipped with springs in harmonic steel for installation in the profile Tools free; wiring through 5 cables with quick coupling terminal blocks; protocol On/Off. Lamp with colour finish white; . Degree of protection IP40/IP43.

PRODUCT SPECS

| | |
|------------------------------|---|
| Installation method | Trimless recessed |
| Light source | linear LED 32W/mt CRI90 |
| Absorbed power | 72 W |
| Color temperature | 4000K |
| Color rendering index CRI | 90 |
| Optic | Microprismatic diffuser |
| Finishing | White |
| Luminous flux of the product | 5926 lm |
| Luminous efficiency | 82 lm/W |
| Protocol | On/Off |
| Energy efficiency class | D |
| Dimension | W2265 mm |
| Hole size | 82XL+2 mm |
| IP Grade | Inst. Parete Ip40 / Inst. Soffitto Ip43 |
| Power supply | 220-240V 50-60Hz |



FILE2 microprismatic LED



WEB PAGE



ASSEMBLY INSTRUCTIONS

