

**File 2 trimless recessed 32W/m**

code F2132.940XD/01

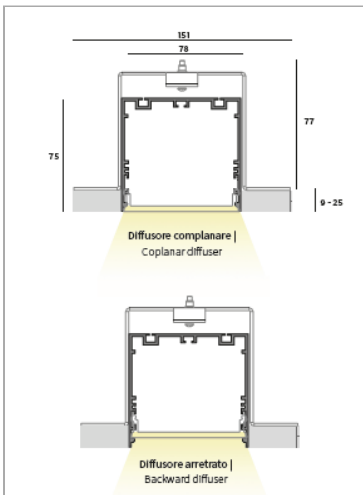


**PRODUCT DESCRIPTION**

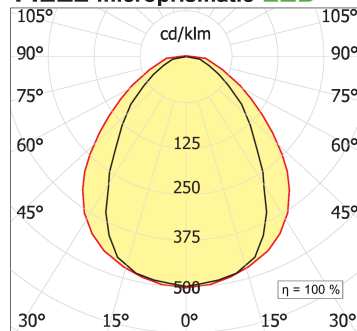
Lamp with direct light from built-in shaved; color rendering CRI >90. Professional led modules assembled and wired on extruded aluminum heatsink with high performance reflector; equipped with springs in harmonic steel for installation in the profile Tools free; wiring through 5 cables with quick coupling terminal blocks; protocol Dimmable Dali. Lamp with colour finish white; . Degree of protection IP40/IP43.

**PRODUCT SPECS**

Installation method	Trimless recessed
Light source	linear LED 32W/mt CRI90
Absorbed power	36 W
Color temperature	4000K
Color rendering index CRI	90
Optic	Microprismatic diffuser
Finishing	White
Luminous flux of the product	2963 lm
Luminous efficiency	82 lm/W
Protocol	Dimmable Dali
Energy efficiency class	D
Dimension	W1140 mm
Hole size	82XL+2 mm
IP Grade	Inst. Parete Ip40 / Inst. Soffitto Ip43
Power supply	220-240V 50-60Hz



**FILE2 microprismatic LED**



**WEB PAGE**



**ASSEMBLY INSTRUCTIONS**

