

**File 2 Trimless Recessed LED**

code F2104.8TWP/01

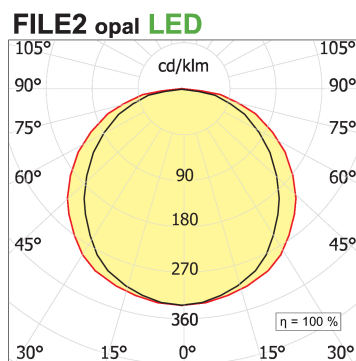
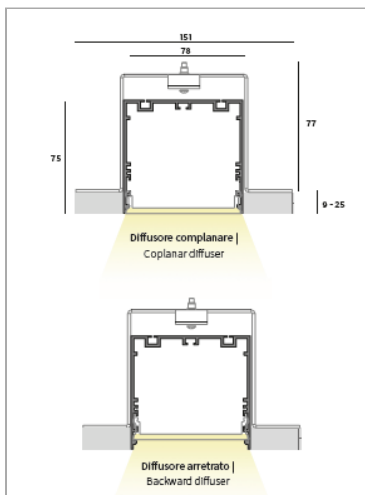


**PRODUCT DESCRIPTION**

Lamp with direct light from built-in shaved; color rendering CRI >90. Professional led modules assembled and wired on extruded aluminum heatsink with high performance reflector; equipped with springs in harmonic steel for installation in the profile Tools free; wiring through 5 cables with quick coupling terminal blocks; protocol On/Off. Lamp with colour finish white; . Degree of protection IP40/IP43.

**PRODUCT SPECS**

Installation method	Trimless recessed
Light source	LED
Absorbed power	38,4 W
Color temperature	Tunable White
Color rendering index CRI	>90
Optic	Opal polycarbonate diffuser
Finishing	White
MacAdam color tolerance	3
Life time estimate	50000h Ta 25° L80B10
Protocol	On/Off
Energy efficiency class	D
Dimension	L1700 mm
Hole size	82xL+2 mm
IP Grade	Inst. Parete Ip40 / Inst. Soffitto Ip43
Power supply	220-240V 50-60Hz



**WEB PAGE**



**ASSEMBLY INSTRUCTIONS**

