

File 2 Trimless Recessed LED

code F2104.827XD/01

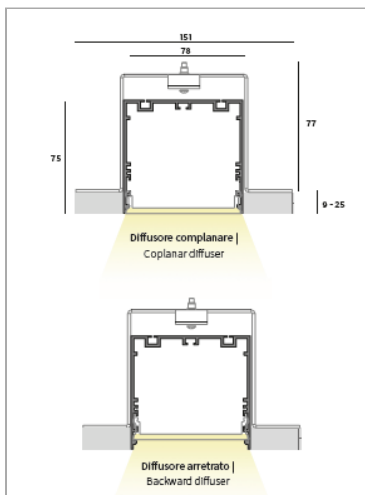


PRODUCT DESCRIPTION

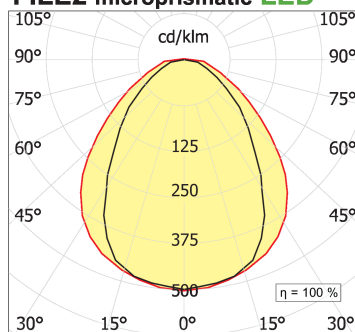
Lamp with direct light from built-in shaved; color rendering CRI >90. Professional led modules assembled and wired on extruded aluminum heatsink with high performance reflector; equipped with springs in harmonic steel for installation in the profile Tools free; wiring through 5 cables with quick coupling terminal blocks; protocol Dimmable Dali. Lamp with colour finish white; . Degree of protection IP40/IP43.

PRODUCT SPECS

Installation method	Trimless recessed
Light source	LED
Absorbed power	38,4 W
Color temperature	2700K
Color rendering index CRI	>90
Optic	Microprismatic diffuser
Finishing	White
Luminous flux of the product	3065 lm
Luminous efficiency	80 lm/W
MacAdam color tolerance	3
Life time estimate	50000h Ta 25° L80B10
Protocol	Dimmable Dali
Energy efficiency class	D
Dimension	L1700 mm
Hole size	82xL+2 mm
IP Grade	Inst. Parete Ip40 / Inst. Soffitto Ip43
Power supply	220-240V 50-60Hz



FILE2 microprismatic LED



WEB PAGE



ASSEMBLY INSTRUCTIONS

