

Focus BR36 rectangular base

code FS402.927F/01

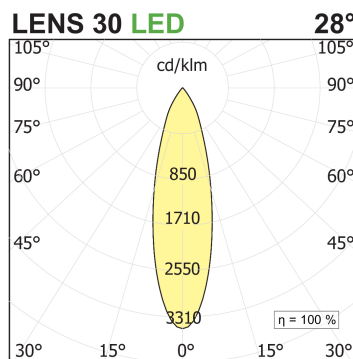
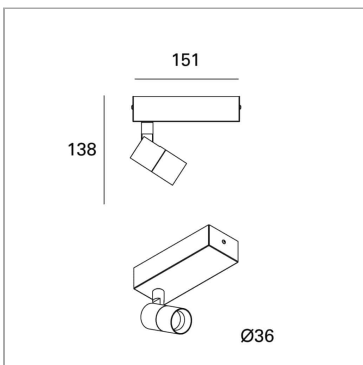


PRODUCT DESCRIPTION

Cylindrical projector in extruded aluminium, adjustable on the vertical axis of 355, and on the horizontal axis of +/- 90, with rectangular base; powder coating; with COB technology (Chip on Board) for maximum efficiency; absence of multiple shadows; Energy efficient LEDs with high color rendering; secondary lens in high transparency pmma; optical units available as accessories with replacement without tools; available accessories such as honey comb, ellipsoid lens, asymmetric lens, satined lens. Color finish white.

PRODUCT SPECS

Installation method	Wall surface mounted, Ceiling surface mounted
Light source	LED
Absorbed power	8 W
Color temperature	2700K
Color rendering index CRI	>90
Optic	Flood 28°
Finishing	White
Luminous flux of the product	668 lm
Luminous efficiency	84 lm/W
MacAdam color tolerance	2
Life time estimate	2SCDM 50.000h L90 B10 ta25°
Energy efficiency class	D
Dimension	W151xH138 Ø36 mm
IP Grade	IP20
Power supply	220-240V 50-60Hz



WEB PAGE



ASSEMBLY INSTRUCTIONS

